



Magma

9918 Via Pasar, San Diego, CA 92126, USA

Phone (800) 285-8990 US, (858) 530-2511 • Fax (858) 530-2733

www.magma.com

© 2007 Mission Technology Group, Incorporated, DBA Magma. This publication is protected by Federal Copyright Law, with all rights reserved. No part of this publication may be copied, photocopied, reproduced, stored in a retrieval system, translated, transmitted or transcribed, in any form or by any means manual, electric, electronic, electro-magnetic, mechanical, optical or otherwise, in whole or in part without prior written consent from Magma, Inc.

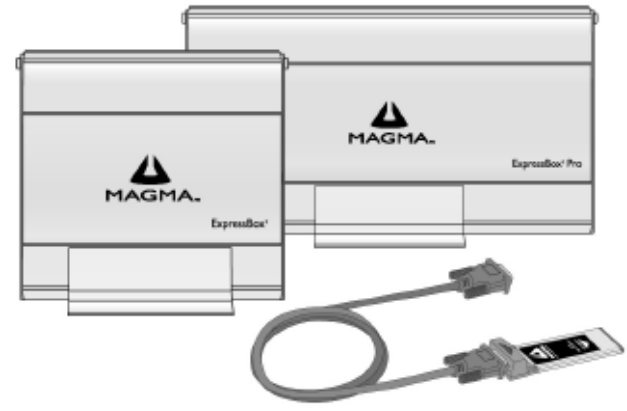
Limitation of Liability: Information presented by Magma in this manual is believed to be accurate and reliable. However, Magma assumes no responsibility for its use. No license is granted by implication or otherwise to any rights of Magma.

Trademark References: Trademarks and registered trademarks are proprietary to their respective manufacturers.

Product specifications and prices are subject to change without notice.

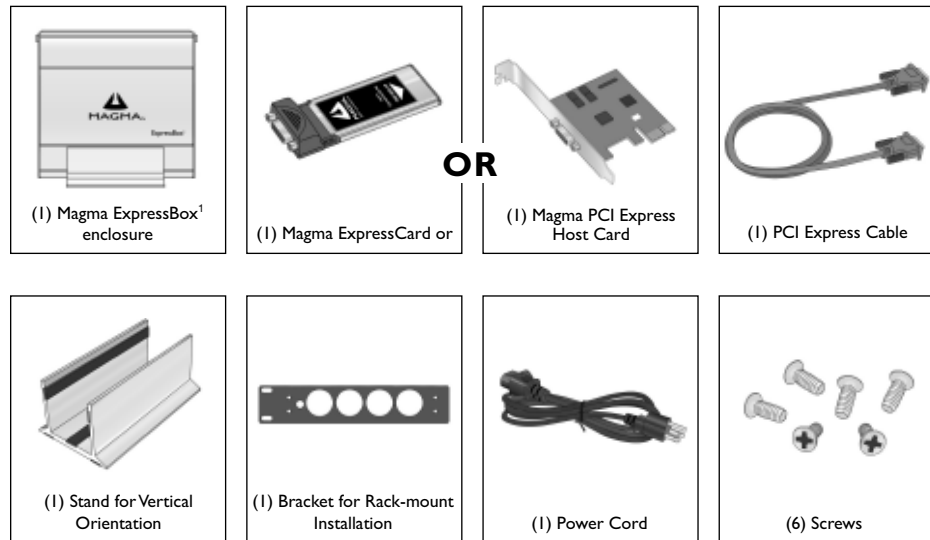
09-09960-01-B1

Quick Installation Guide



Magma ExpressBox¹ and ExpressBox¹ Pro

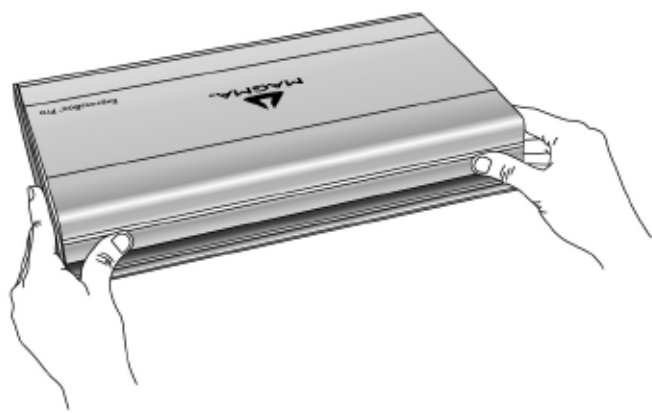
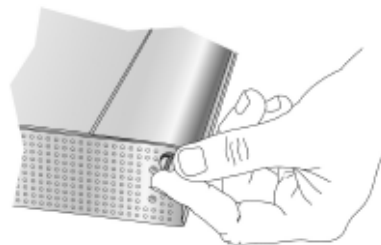
Package Contents



! IMPORTANT Important safety information and other information on how to use Magma ExpressBox¹ and ExpressBox¹ Pro are provided in the User Guide. This manual is available online for a download at www.magma.com/support/manuals.

1 Open Enclosure

For convenience, Magma ExpressBox¹ uses a hinged lid for easy access to the internal PCI Express[®] slot. The lid is secured with two thumbscrews. Loosen and remove the thumbscrews to release the lid and lift.

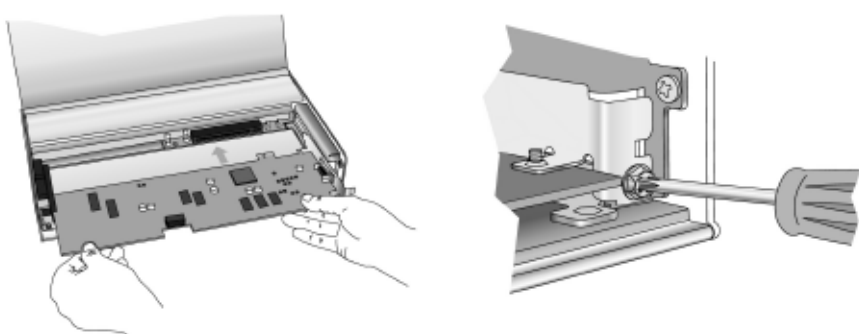


2 Install PCI Express card

Remove slot cover. Install PCI Express card by gently, but firmly, pressing on the card until seated in the slot.

Secure card with retaining screw. Secure the lid with thumbscrews or supplied standard screws.

! IMPORTANT: The maximum wattage provided to your PCI Express card is 55 watts.

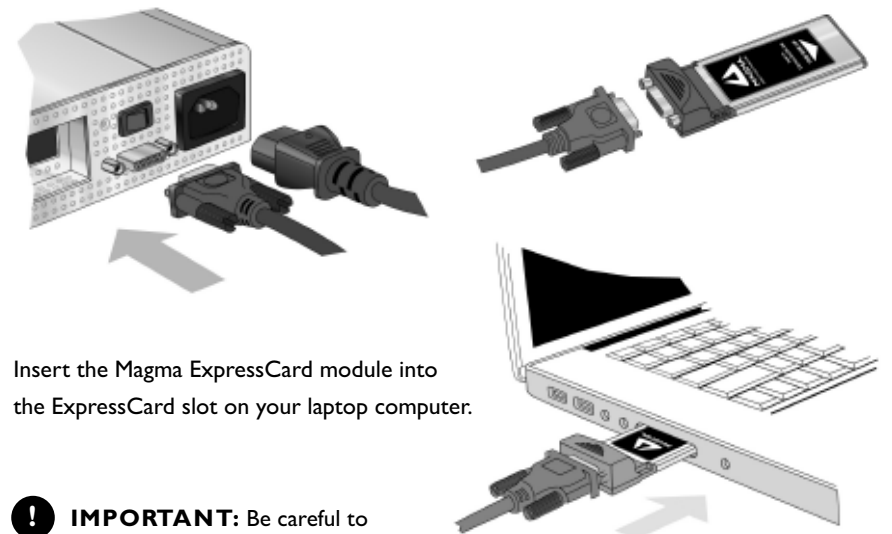


3 Insert Host Card and Connect Cables

Connect the power cord and PCI Express cable at the rear of the enclosure.

For Laptop Installation:

Connect the other end of the PCI Express cable to the Magma ExpressCard module.

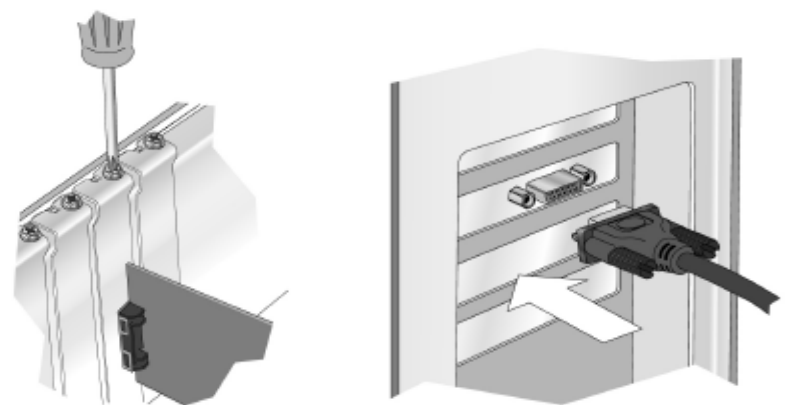
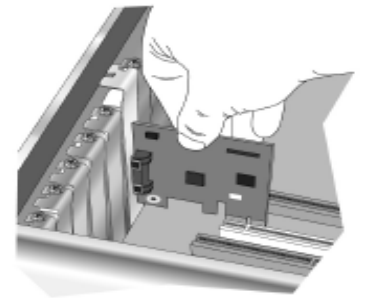


Insert the Magma ExpressCard module into the ExpressCard slot on your laptop computer.

! IMPORTANT: Be careful to connect cable correctly. It's may be easy to accidentally connect the cable upside down.

For Desktop or Server Installation:

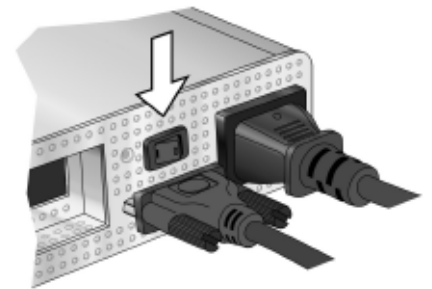
Insert the Magma PCI Express Host Card into an available PCI Express slot in your computer. Secure with retaining screw.



4 Power On ExpressBox¹

Turn on power using the power switch on the rear of the enclosure.

Check the front of the enclosure to be sure there is a glowing red LED in a 'steady state'. If the LED is flickering, turn power off and on until a 'steady state' is reached.



5 Power On Computer

It is important to power on Magma ExpressBox¹ first and then the computer. This allows the computer BIOS to identify and assign resources appropriately.

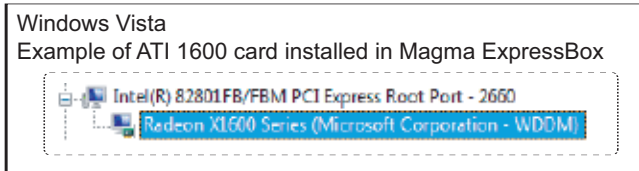
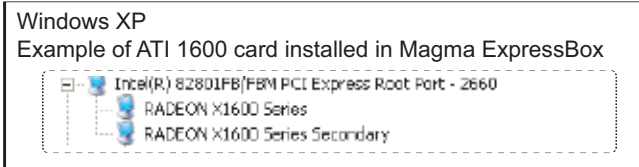
Magma ExpressBox¹ will be transparent to your operating system. There is no software required for proper configuration; however your operating system may prompt for software or drivers required for the PCI Express card installed in ExpressBox¹. Follow instructions included with your PCI Express card.



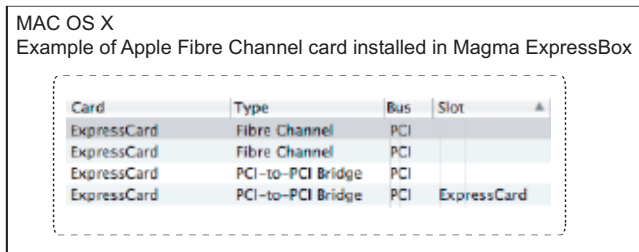
6 How to Verify Installation

When installed properly, the PCI Express card will be visible in your Windows Device Manager or Apple System Profiler. If the PCI Express card is not visible, or it has a problem, go to Troubleshooting.

1. WINDOWS XP & VISTA: Click on START > CONTROL PANEL > SYSTEM > HARDWARE > DEVICE MANAGER > View > View by Connections > Open PCI Express Root Port to see card installed in ExpressBox



2. MAC OS X: Click on ABOUT THIS MAC > MORE INFO > DEVICES > Open 'PCI cards' option on left side to see cards installed in ExpressBox.



7 Shut Down Procedures

For Laptops:

- Double-click the Safely Remove Hardware icon (green arrow) in the bottom right corner of your screen to power down the card installed in ExpressBox¹ before removing the Magma ExpressCard module from the laptop.
- If the Safely Remove Hardware icon is not available, you should power down your laptop first, then Magma ExpressBox¹.
- If you choose to remove the Magma ExpressCard while the laptop is running, it is best to keep ExpressBox¹ turned ON during removal; however, this may cause 'computer lock-up' with some cards.

For Desktops / Servers:

It is recommended that you first shut down the computer correctly, and then power down Magma ExpressBox¹ to avoid 'computer lock-up' and potential data loss.

8 Rack-Mount or Vertical Installation

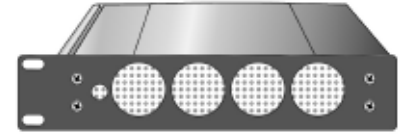
Magma ExpressBox¹ and ExpressBox¹ Pro is designed to function in a variety of positions.

- Rubber feet protect the product from scratches when used on a tabletop.
- A vertical stand provides easy storage on a shelf.
- The rack-mount bracket is only 1U high and only uses half of the rack width.

! IMPORTANT: For increased stability when rack-mounting, you must secure the lid by installing a flat Philips head screw into the screw hold that secures the lid.

How to Rack-Mount

Align the screw holes on the rack-mount bracket to the screw holes on the front of Magma ExpressBox¹.



How to Use Stand

Place Magma ExpressBox¹ and ExpressBox¹ Pro into the vertical stand with the Magma logo up.



? Troubleshooting

Problem: I see an exclamation point in front of my PCI Express card in Windows Device Manager or my PCI Express card has a problem.

Solution: Windows XP users, download Magma ExpressBox¹ drivers for Windows XP from www.magma.com/support/drivers/expressbox. Windows Vista users, ensure your PCI Express card is supported under Vista. Check with the card manufacturer to see if drivers are required. If required, install drivers following manufacturer's instructions.



IMPORTANT: Windows XP users: Download Magma ExpressBox¹ drivers for Windows XP from www.magma.com/support/drivers/expressbox

Problem: My computer "hangs" during boot-up.

Solution: Remove Magma ExpressCard and reboot. After the laptop boots up correctly, re-insert the ExpressCard with Magma ExpressBox¹ powered on. Verify installation.

If trouble persists, contact Technical Support.

Technical Help

Contact Technical Support by phone at (858) 530-2511. Support is available Monday through Friday, 8:00 AM to 5:00 PM Pacific Time.

Web: www.magma.com/support

FCC Statement

This equipment has been tested and found to comply with the limits for a Class B digital device, pursuant to Part 15 of the FCC rules. These limits are designed to provide reasonable protection against harmful interference in a residential installation. This equipment generates uses and can radiate radio frequency energy and, if not installed and used in accordance with the instructions, may cause harmful interference to radio communications. However there is no guarantee that interference will not occur in a particular installation. If this equipment does cause harmful interference to radio or television reception, which can be determined by turning the equipment off and on, the user is encouraged to try to correct the interference by one or more of the following measures:

- Reorient or relocate the receiving antenna
- Increase the separation between the equipment and receiver
- Connect the equipment into an outlet on a circuit different from that to which the receiver is connected
- Consult the dealer or an experienced radio/TV technician for help. Magma is not responsible for radio/TV interference caused by using unauthorized cables or by making unauthorized changes to this equipment.

Changes or modifications not expressly approved by the party responsible for compliance could void the user's authority to operate the equipment.

Industry Canada

This Class B digital apparatus complies with Canadian ICES-003.
Cet appareil numérique de la classe A est conforme à la norme NMB-003 du Canada

CE

The product(s) described in this manual complies with all applicable European Union (CE) directives. Magma will not retest or recertify systems or components that have been reconfigured by customers

Magma Warranty and Repair Policy

ALL PRODUCTS SOLD BY MAGMA ARE SUBJECT TO THIS WARRANTY AND REPAIR POLICY.

30 DAY MONEY BACK GUARENTEE. Your satisfaction is extremely important to us, and your feedback helps us improve our products and services. If for any reason you are not 100% satisfied with your Magma product, contact the Magma Sales Department, and return your product postmarked within 30 days of the invoice date for a full refund or exchange, excluding shipping and handling charges, and any international duties. After 30 days, product may be returned only for repair or replacement, as provided below under Product Warranty. In order to receive full-credit for the price of the product, all returned products must be returned 100% complete and in new condition, including all components and other accessories provided by the manufacturer, with all original manuals and documentation, in the original container and packing materials. The value of any missing components or other accessories will be deducted from the refund. Refunds will be made with the same method of payment as the original order when purchased direct from Magma only. Credit card refunds may be made only to the same card used for the original purchase. If a check was used, a refund may take up to 45 days.

PRODUCT WARRANTY. Magma warrants this product to be free from defects in material or workmanship, so long as used in accordance with its applicable documentation, for a period of one (1) year from the date of shipment to you (the "Warranty Period"). Should you need to return this product for any reason, you must first obtain a Returned Material Authorization (RMA) number by calling 858.530.2511, or completing a Technical Support Request form on our website at www.magma.com. Your RMA number will be valid for only 30 days after it was issued to you. If you do not return your product within 30 days, you must obtain another RMA number. You are responsible for packaging the product, including its components and other accessories, its original manual or other printed material, all in a well-padded, sturdy box, with adequate protection for shipment, and you must pay the shipping, insurance, excise or other taxes and similar costs to get it to us. We strongly recommend you fully insure it, and also that you use a shipping method which provides you a tracking number you should retain for proof that we received it. The RMA number must appear on both the inside and outside of the box. Boxes without RMA numbers appearing on the outside will not be accepted, and will be returned. Return it to: Magma Returns Department, ATTN: RMA # _____, 9918 Via Pasar, San Diego, CA 92126, USA.

Products received with physical defects must be reported to a Magma Technical Support Specialist immediately upon receipt, even if functioning properly despite the defect. It could impact upon future Product Warranty options if not reported immediately.

If returned during the Warranty Period, we will repair or replace your product, in our sole discretion. We will return your repaired or replaced product to you within 7 business days of receipt at our dock, freight prepaid via ground service, unless a Technical Support Specialist informs you of an extended date. If your product requires repair due to an item not covered by this warranty, or is outside its Warranty Period, you may instruct us to repair it at our quoted price, if it can be repaired, or we will return it to you without repair.

This warranty does not cover: (a) damage or loss during transport; (b) damages as a result of natural elements such as rain, snow, fire, or other calamities; (c) damage from misuse, abuse, or accidents; (d) repainting, refinishing, or refurbishing the product; (e) labor required to diagnose the problem if such problem is a result of any of the foregoing conditions; or (f) products that have previously owned, or purchased secondhand. This warranty shall be void if any product: (1) is altered, repaired, or any attempt at the same has been made by any party not authorized by us; (2) has had the serial number or any labels removed, altered, or tampered with; or (3) has not been operated within conditions required by the specifications.

You must exercise your warranty claim within one (1) year from the date the product was originally shipped to you. If we issue you an RMA number, it does not mean we have determined that your product is still under warranty.

THIS WARRANTY IS IN LIEU OF ALL OTHER WARRANTIES, EXPRESS OR IMPLIED, AND WE EXPRESSLY DISCLAIM ALL OTHER WARRANTIES TO THE MAXIMUM EXTENT ALLOWED BY LAW, INCLUDING THE IMPLIED WARRANTIES OF MERCHANTABILITY, FITNESS FOR ANY PARTICULAR PURPOSE AND NON-INFRINGEMENT. Our sole liability, and your sole

remedy, in contract, tort, or otherwise, shall be limited to repair or replacement of defective product. We will not be liable for indirect, direct, special, punitive, or consequential damages of any kind, including loss of use, loss or damage to other equipment, or lost profits arising out of or in connection with use of the product, even if we have been advised of the possibility of such damages. In some jurisdictions, the foregoing disclaimers or limitations on damages are prohibited or limited by law, so they may not apply to you.

DOA (DEAD ON ARRIVAL) PRODUCTS. Magma product is considered DOA if it displays symptoms of hardware failure within 30 days of shipment. If you believe that your product is DOA, please contact Magma Technical Support within 30 days of shipment. A Magma Technical Support Specialist may offer the following options:

Complete Replacement: The same product that you ordered will be shipped to you at Magma's expense.

Component Replacement: If it can be determined that a particular component is causing the failure, (e.g. power supply) a replacement component will be shipped to you at Magma's expense.

In both instances mentioned above, a Magma Technical Support Specialist may choose to issue a 'Call Tag' to retrieve the defective product at Magma's expense. It is your responsibility to ensure the defective product is properly packaged for shipment and ready at the time of the scheduled Call Tag pick-up.

If the reported product problem is deemed by a Magma Technical Support Specialist to be either (1) NOT DOA, or (2) DOA more than 30 calendar days after shipment, the standard Product Warranty will apply.

Magma reserves the right to test returned DOA product. If the condition of the product is misrepresented, Magma may impose a \$75.00 handling fee.

PRODUCTS DAMAGED IN SHIPPING. Magma ensures that all Products will be suitably packed, marked and shipped in accordance with common carrier and other applicable requirements. It is your responsibility to handle damage caused in shipping. Therefore, it is highly recommended that you do not sign the delivery receipt for your shipment until you have determined that it is free of shipping damage. If you determine that the Product has been damaged in shipping, you are responsible for filing a damage claim with the freight company.

ADVANCED REPLACEMENT SERVICE. Magma offers an Advanced Replacement Service primarily intended to address severe problems encountered in a system within the first 60 days after shipment. Under the terms of this service, Magma will expedite the shipment of a replacement product prior to receiving the defective product. Advanced replacements are available by providing a VISA, MasterCard or American Express card which will be charged the list price of the replacement product and associated shipping costs. The cost for this service is ranges from \$25 to \$100 plus a 25% restocking fee. Credit for the purchase price of the original product will be issued 7-10 business days after receipt of the original product.

The original product must be returned to Magma with all parts and components that were shipped with it, in undamaged condition. You are responsible for missing components and/or systems or components that are found to be physically damaged upon return.

Advanced Replacement Service is not offered for the following products:

Out of Warranty products: If your product is out of warranty and requires repair, please refer to the Out of Warranty Repair Service detailed below.

OEM branded products: If your product is manufactured by Magma, but carries another brand name, please contact the company whose brand name appears on the product, or the third-party company who sold you the product for information regarding their advanced replacement policies.

NON-RETURNED ADVANCED REPLACEMENTS. Defective product cannot be returned for credit after 90 days following arrival of your Advanced Replacement.

EXPEDITED REPAIR OPTIONS. Although Magma does not offer an Expedited Repair Program, there are methods to expedite the receipt of your replaced or repaired Product:

Expedited Shipping: You may request priority shipping and must bear the extra costs of priority shipping by providing a VISA, MasterCard or American Express card number to a Technical Support Specialist when the RMA number is requested.

Advanced Replacement: The fee-based Advanced Replacement Service described above is the quickest method to replace defective product.

OUT OF WARRANTY REPAIR SERVICE. Magma will attempt to repair out-of-warranty defects at an additional charge. You will be charged a minimum evaluation fee of \$150 (includes 1 hour of test and repair time, additional test time will be charged at \$75 per hour). You are responsible for all shipping charges. If repairs are authorized, the evaluation fee will be deducted from the cost to repair the product. If repair are not authorized, you will be responsible for paying the evaluation fee. Once evaluation has been completed, a Technical Support Specialist will contact you with any options you may have and to request your authorization of the repair work before the repair is performed. It is highly recommended that you provide a day-time telephone number and email address to ensure that the Technical Support Specialist can reach you to discuss your repair options. Please call for an RMA number before returning the product.

You must provide your authorization or decline the repair cost within 10 days of notification. If you fail to respond within 30 days after you were informed of the repair charge, Magma will close the RMA automatically and return the product to you, as is.

Magma warrants an out-of-warranty repaired product for a period of 90 days from the date of repair.

EXTENDED WARRANTY. Magma will extend the terms of our standard 1-year warranty for an additional 1 year if you opt to purchase an extended warranty at the time of the purchase of the particular Magma product to which it relates. An extended warranty cannot be purchased at a later time. If you opt for the extended warranty plan, the total warranty period on your Magma product will be 2 years from the date of shipment.

For questions, contact Magma at (858) 530-2511 or visit us on the web at www.magma.com.

This Warranty and Repair Policy is subject to change without prior notification.