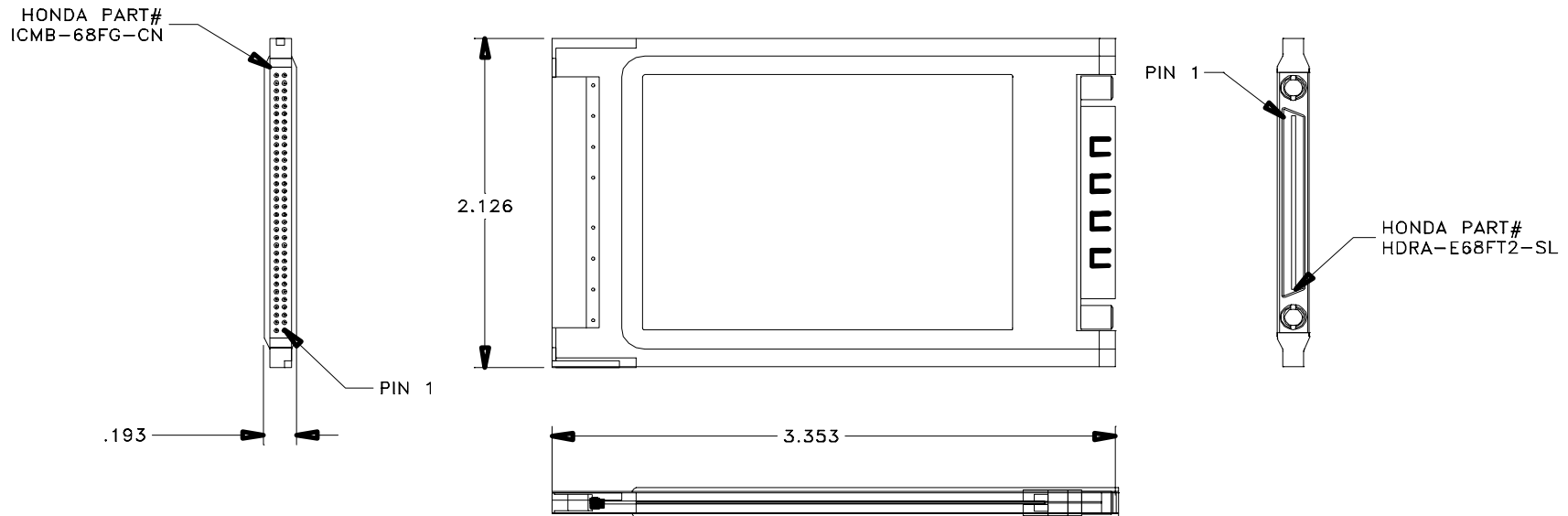


Mechanical Drawing

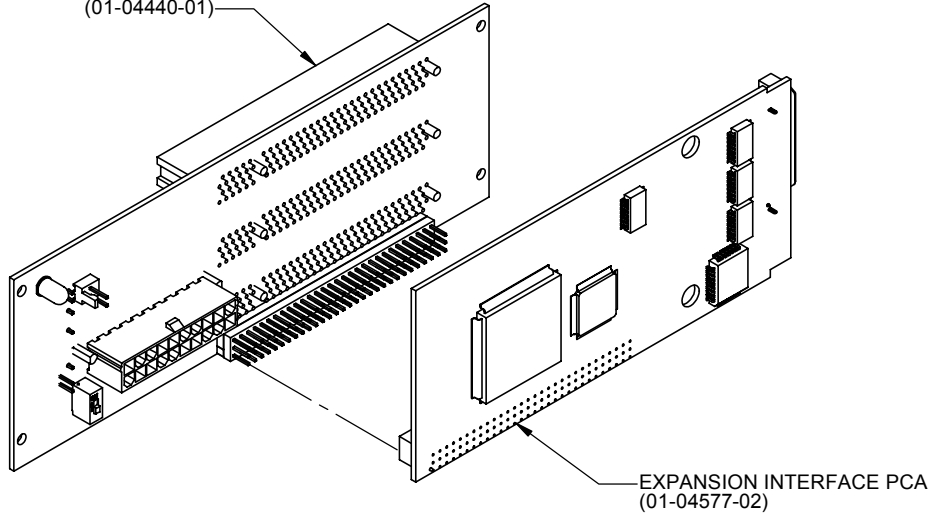
CardBus Host Interface (Part Number CBHIF)



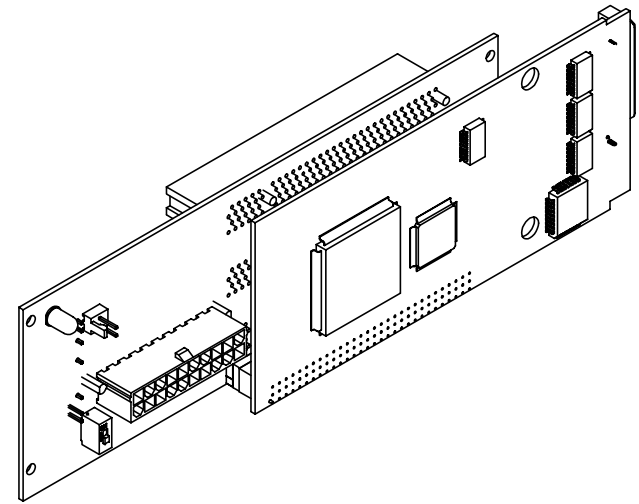
Dimensions



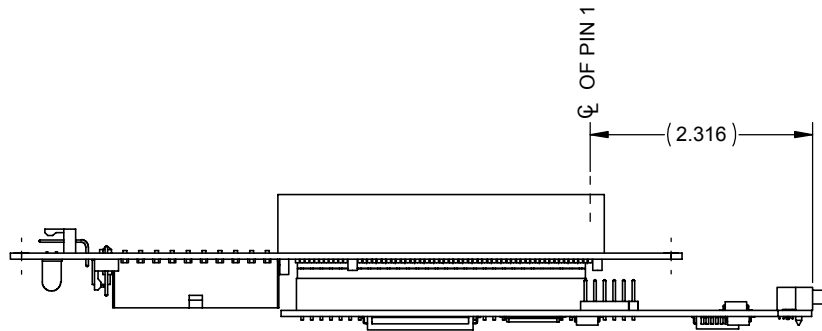
3-SLOT BACKPLANE
(01-04440-01)



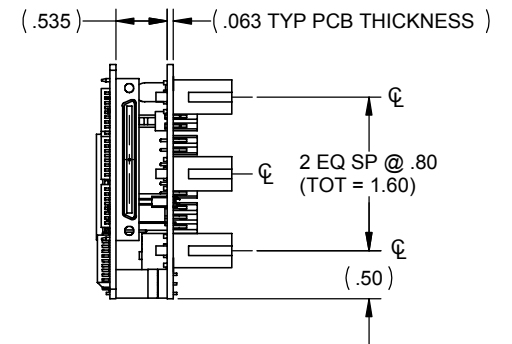
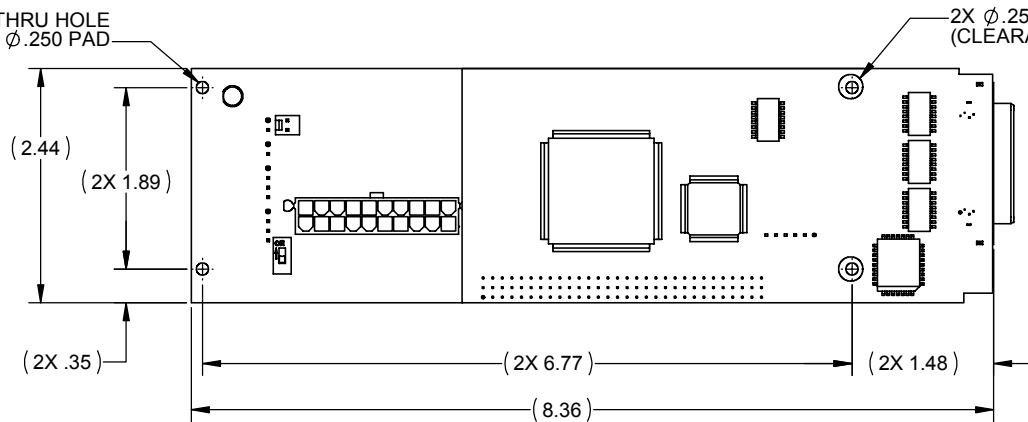
EXPLODED ISOMETRIC VIEW



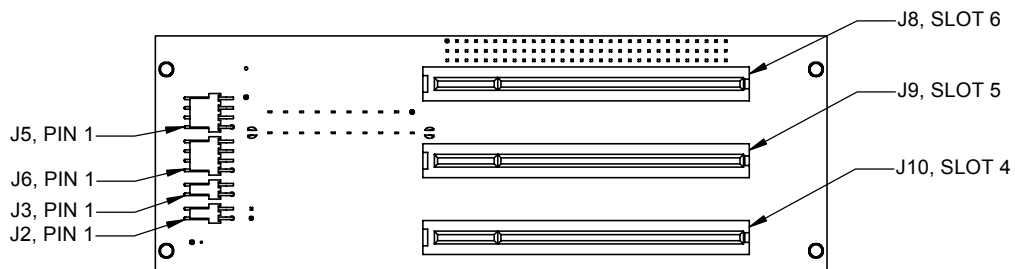
ASSEMBLED ISOMETRIC VIEW



4X Ø.125 PLATED THRU HOLE
Ø.250 PAD



CB332NE PCI BOARD SET
00-04422-03



CONNECTOR "J1"	
MOLEX 39-29-9202	
PIN	SIGNAL
1	+3.3V
2	+3.3V
3	GND
4	VCC (+5VDC)
5	GND
6	VCC (+5VDC)
7	GND
8	POWER-OK
9	5VSB
10	+12V
11	+3.3V
12	-12V
13	GND
14	PS-ON
15	GND
16	GND
17	GND
18	-5V
19	VCC (+5VDC)
20	VCC (+5VDC)

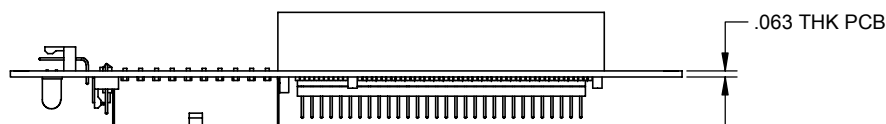
CONNECTOR "J2"	
MOLEX 22-05-7028	
PIN	SIGNAL
1	+12V w/RES
2	FANGND

CONNECTOR "J5"	
MOLEX 22-05-7048	
PIN	SIGNAL
1	GND
2	PS-ON SW
3	GND
4	LED

CONNECTOR "J3"	
MOLEX 22-05-7028	
PIN	SIGNAL
1	+12V
2	FANGND

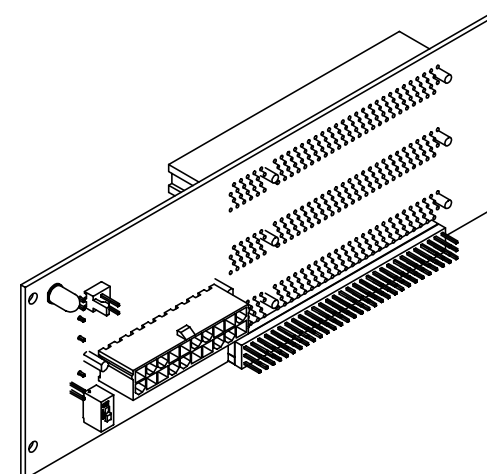
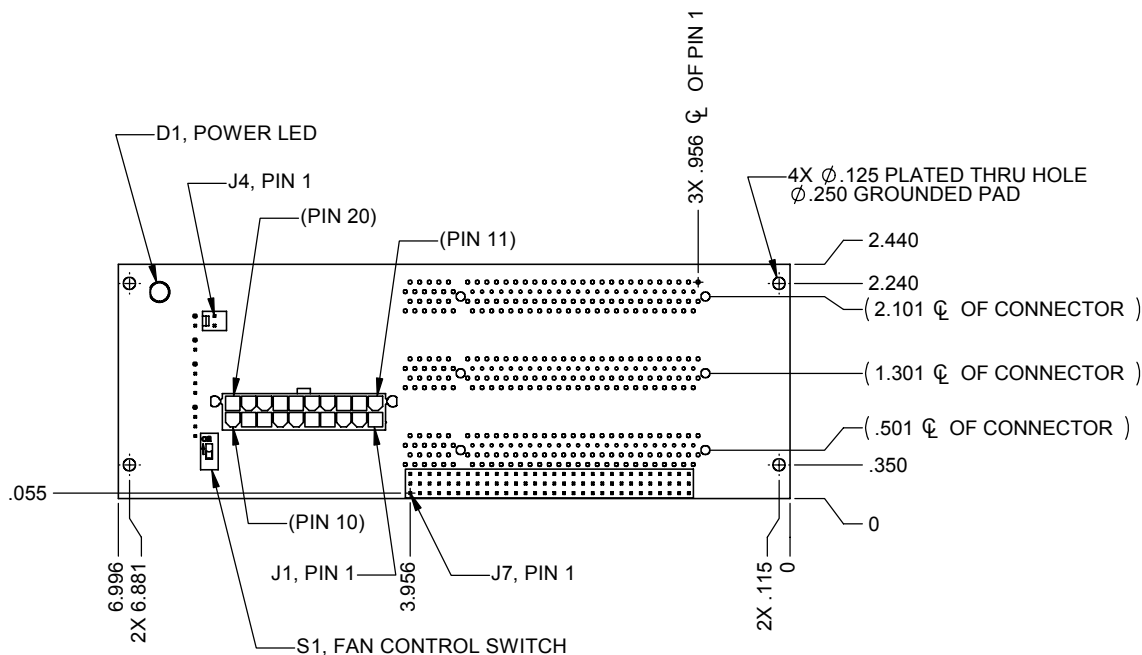
CONNECTOR "J6"	
MOLEX 22-05-7048	
PIN	SIGNAL
1	GND
2	HDD LED
3	GND
4	PWR LED

CONNECTOR "J4"	
MOLEX 22-29-2021	
PIN	SIGNAL
1	GND
2	HDD LED



CONNECTOR "J7"
SAMTEC ZW-30-08-S-T-200-125
PINOUT NOT SUPPLIED (CALL MAGMA FOR ASSISTANCE)

CONNECTORS "J8, J9 & J10"
AMP 11299-1
PINOUT NOT SUPPLIED (CALL MAGMA FOR ASSISTANCE)

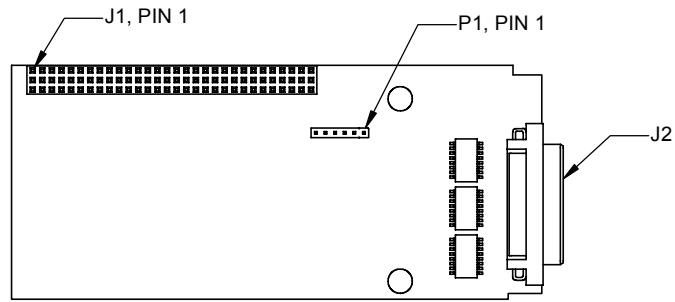


3-SLOT PCI EXPANSION BACKPLANE 01-04440-01



9918 Via Pajar
San Diego, CA 92126

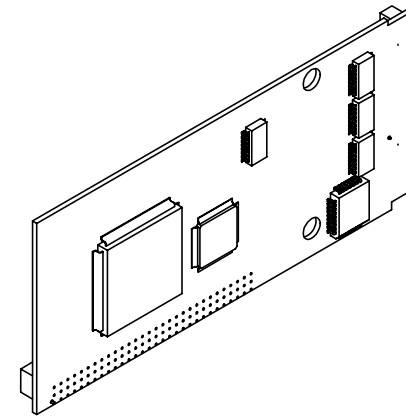
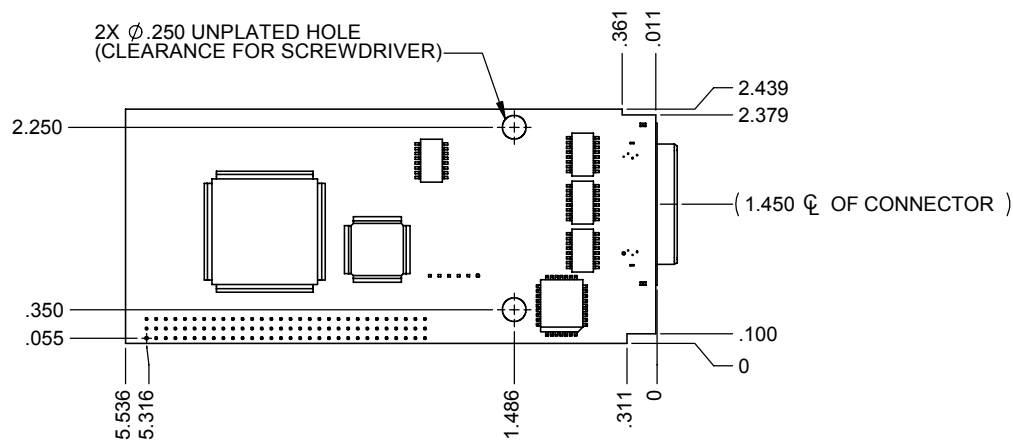
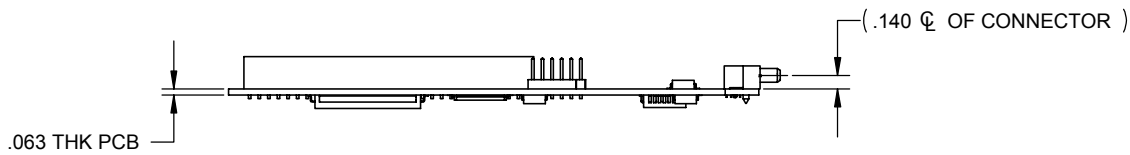
Web: www.magma.com
Tel: (858) 530-2511
Fax: (858) 530-2733
Email: sales@magma.com



CONNECTOR "J1"
 SAMTEC SSQ-130-01-S-T-200-125
 PINOUT NOT SUPPLIED (CALL MAGMA FOR ASSISTANCE)

CONNECTORS "J2"
 AMP 787254-1
 PINOUT NOT SUPPLIED (CALL MAGMA FOR ASSISTANCE)

CONNECTOR "P1"
 FOR MAGMA USE ONLY



PCI EXPANSION INTERFACE PCA

01-04577-02



9918 Via Pajar
 San Diego, CA 92126

Web: www.magma.com
 Tel: (858) 530-2511
 Fax: (858) 530-2733
 Email: sales@magma.com

a Mobility Electronics Company